



(12) **United States Design Patent**  
**Morreale et al.**

(10) **Patent No.:** **US D932,023 S**  
(45) **Date of Patent:** **\*\* Sep. 28, 2021**

(54) **ORAL HYGIENE DEVICE**  
(71) Applicant: **PhotoDynamic Inc.**, Halifax (CA)  
(72) Inventors: **Mark Tullio Morreale**, Toronto (CA);  
**Sherri McFarland**, Haslet, TX (US);  
**Colin G. Cameron**, Haslet, TX (US);  
**Martin Greenwood**, Dartmouth (CA);  
**S. Alexander McLellan**, Ketch Harbour (CA)

D904,621 S \* 12/2020 Bould ..... D24/181  
D908,223 S \* 1/2021 Pai ..... D24/176  
D908,890 S \* 1/2021 Demarest ..... D24/181  
10,918,882 B2 \* 2/2021 Demarest ..... A61C 19/066  
D912,825 S \* 3/2021 Demarest ..... D24/181  
D912,826 S \* 3/2021 Bao ..... D24/181  
D912,827 S \* 3/2021 Haiola ..... D24/181  
2008/0255498 A1 \* 10/2008 Houle ..... A61C 17/028  
604/20  
2011/0252590 A1 \* 10/2011 Steur ..... A61C 17/16  
15/167.2  
2012/0214122 A1 \* 8/2012 Dwyer ..... A61C 19/066  
433/29  
2013/0273490 A1 \* 10/2013 Way ..... A61C 7/008  
433/6

(73) Assignee: **PhotoDynamic Inc.**, Halifax (CA)  
(\*\*) Term: **15 Years**

(Continued)

(21) Appl. No.: **29/706,480**

**OTHER PUBLICATIONS**

(22) Filed: **Sep. 20, 2019**  
(51) **LOC (13) Cl.** ..... **24-02**  
(52) **U.S. Cl.**  
USPC ..... **D24/181**

Teeth Whitening Kit by VieBeauti. Amazon. Oldest review date: Dec. 7, 2019. Date retrieved: Jan. 27, 2021. Retrieved from internet: <https://www.amazon.com/dp/B07WT7C65V> (Year: 2019).\*

(Continued)

(58) **Field of Classification Search**  
USPC ..... D24/180-182, 110, 110.5, 176; D29/108  
CPC ..... A61C 7/08; A61C 7/36; A61C 9/0006;  
A61C 19/005; A61C 19/006; A61C  
19/06; A61C 19/063; A61C 19/066; A61C  
2201/007  
See application file for complete search history.

*Primary Examiner* — Lilyana Bekic  
*Assistant Examiner* — Lee D. Starr  
(74) *Attorney, Agent, or Firm* — Riverside Law LLP

(57) **CLAIM**

We claim the ornamental design for an oral hygiene device, as shown and described.

(56) **References Cited**

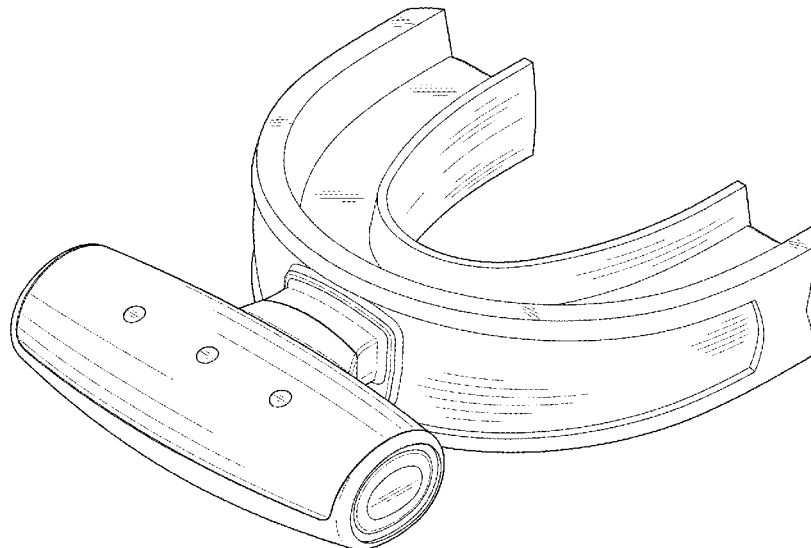
**DESCRIPTION**

**U.S. PATENT DOCUMENTS**

6,893,259 B1 \* 5/2005 Reizenon ..... A61C 17/0211  
433/29  
D713,531 S \* 9/2014 Way ..... D24/181  
9,907,626 B1 \* 3/2018 Lowe ..... A61C 7/008  
D849,956 S \* 5/2019 Demarest ..... D24/181  
D864,399 S \* 10/2019 Qin ..... D24/176  
D885,583 S \* 5/2020 Haiola ..... D24/181  
D887,017 S \* 6/2020 Liu ..... D24/200  
D890,930 S \* 7/2020 Farrell ..... D24/180  
D895,808 S \* 9/2020 Li ..... D24/176  
D899,600 S \* 10/2020 Li ..... D24/176

FIG. 1 is a perspective view of an oral hygiene device;  
FIG. 2 is a front view thereof;  
FIG. 3 is a back view thereof;  
FIG. 4 is a right side view thereof;  
FIG. 5 is a left side view thereof;  
FIG. 6 is a top view thereof; and,  
FIG. 7 is a bottom view thereof.

**1 Claim, 5 Drawing Sheets**



(56)

**References Cited**

## U.S. PATENT DOCUMENTS

2015/0140502 A1\* 5/2015 Brawn ..... A61C 7/08  
433/24  
2018/0116773 A1\* 5/2018 Chen ..... A61C 17/028  
2018/0140383 A1\* 5/2018 Johnson ..... A61C 7/08  
2019/0201774 A1\* 7/2019 Mueller ..... A63B 1/00  
2020/0121428 A1\* 4/2020 Pai ..... A61C 9/0046  
2020/0281701 A1\* 9/2020 Kim ..... A61B 8/12  
2020/0315745 A1\* 10/2020 Way ..... A61C 19/02  
2020/0323683 A1\* 10/2020 Yoskowitz ..... A61F 7/10  
2020/0345472 A1\* 11/2020 Chapman ..... A61C 19/066  
2021/0068936 A1\* 3/2021 Brawn ..... A61C 19/06  
2021/0100645 A1\* 4/2021 Speicher ..... A61C 19/066

## OTHER PUBLICATIONS

Light Therapy Lip Care by reVive. Amazon. Oldest review date:  
Mar. 3, 2018. Date retrieved: Jan. 27, 2021. Retrieved from internet:  
[https://www.amazon.com/REVIVE-LIGHT-THERAPY-LIP-CARE/  
dp/B078NTVLKD](https://www.amazon.com/REVIVE-LIGHT-THERAPY-LIP-CARE/dp/B078NTVLKD) (Year: 2018).\*

PhytoLight by Photodynamic Inc. Phyto-light.com Date retrieved:  
Jan. 27, 2021. Retrieved from internet: [https://www.phyto-light.  
com/](https://www.phyto-light.com/) (Year: 2021).\*

\* cited by examiner

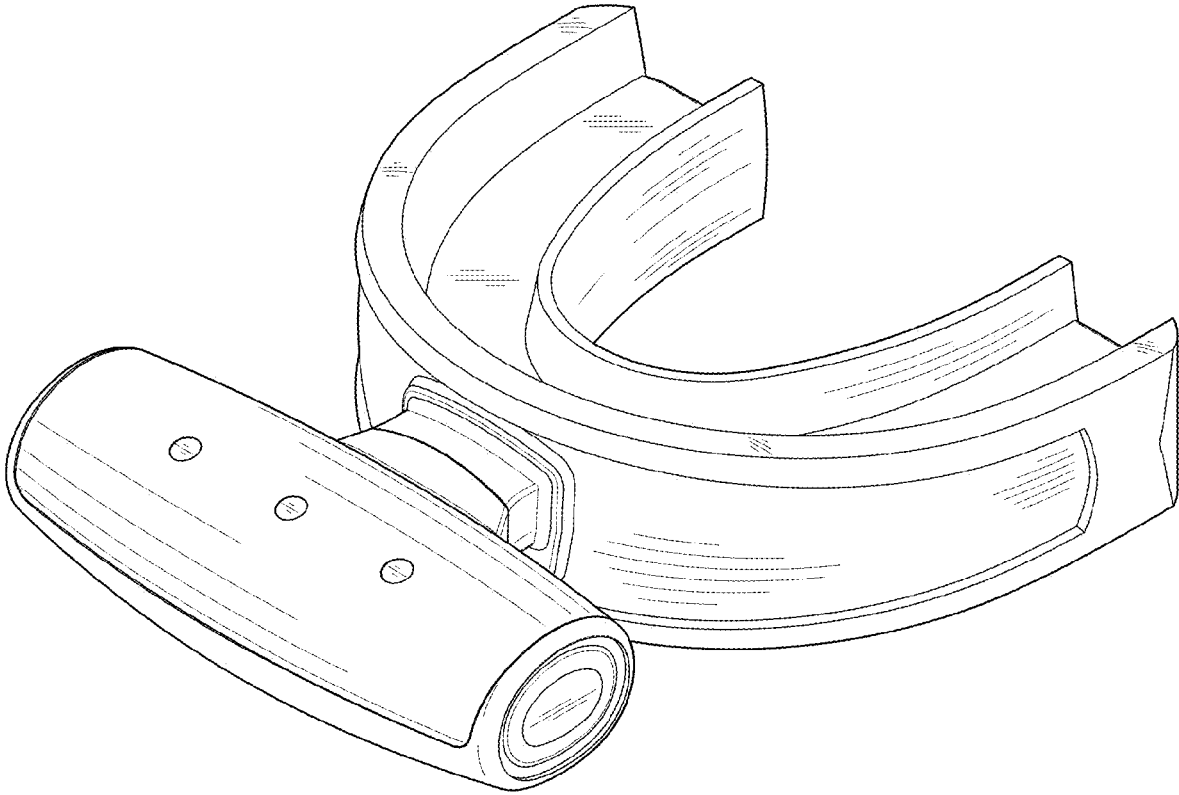


FIG. 1

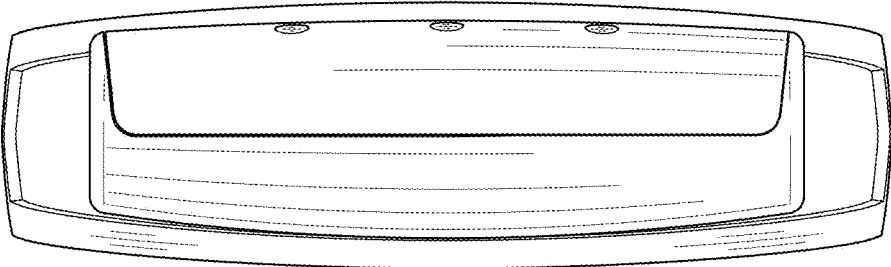


FIG. 2

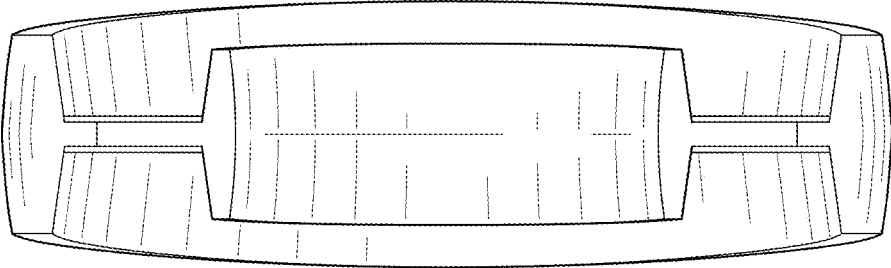


FIG. 3

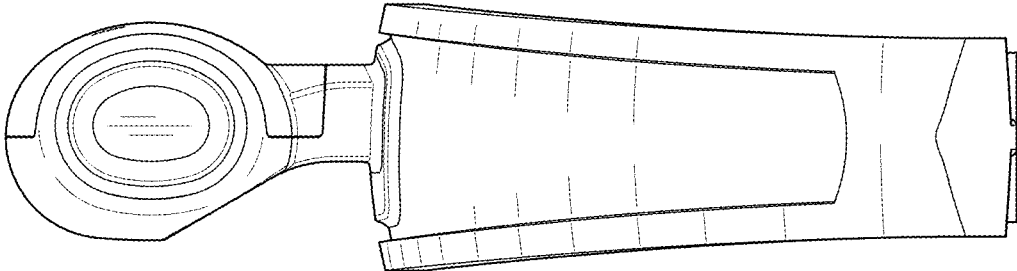


FIG. 4

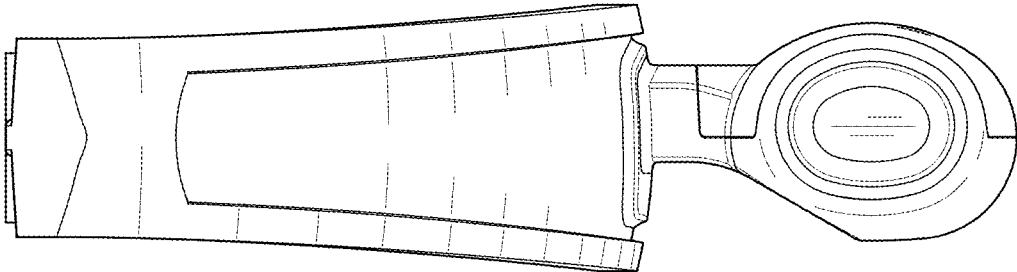


FIG. 5

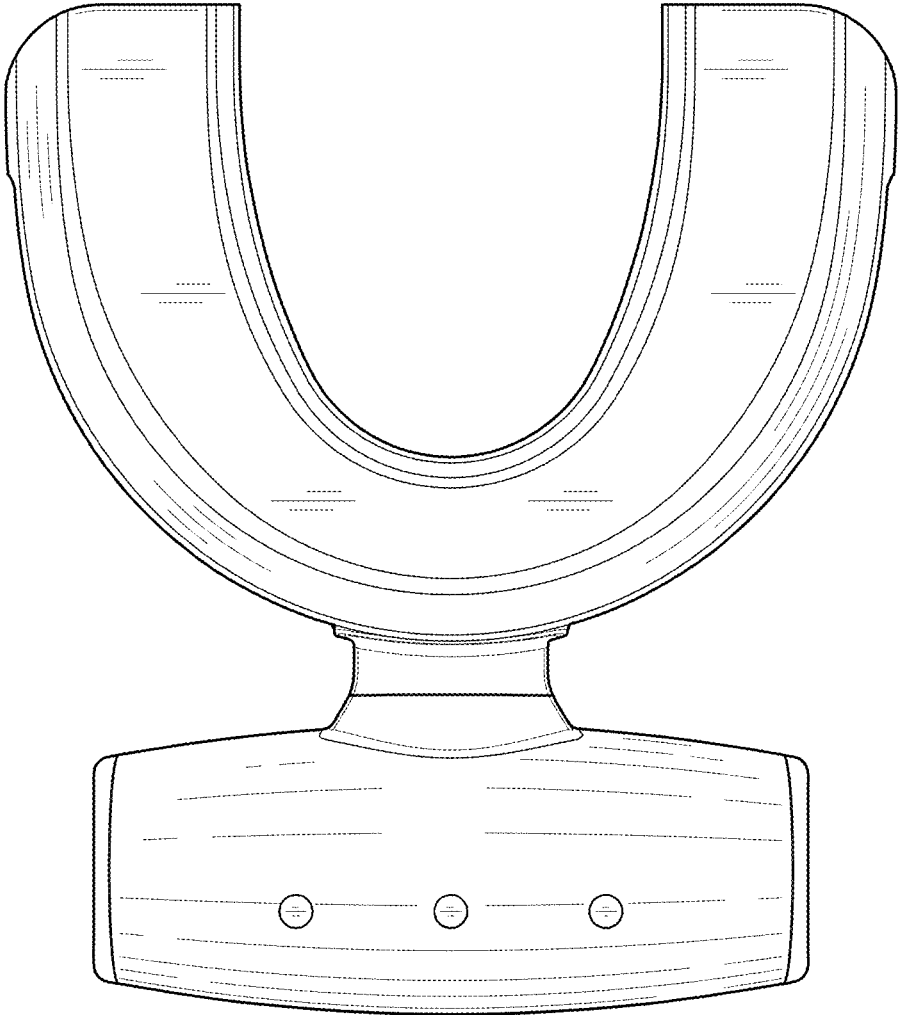


FIG. 6

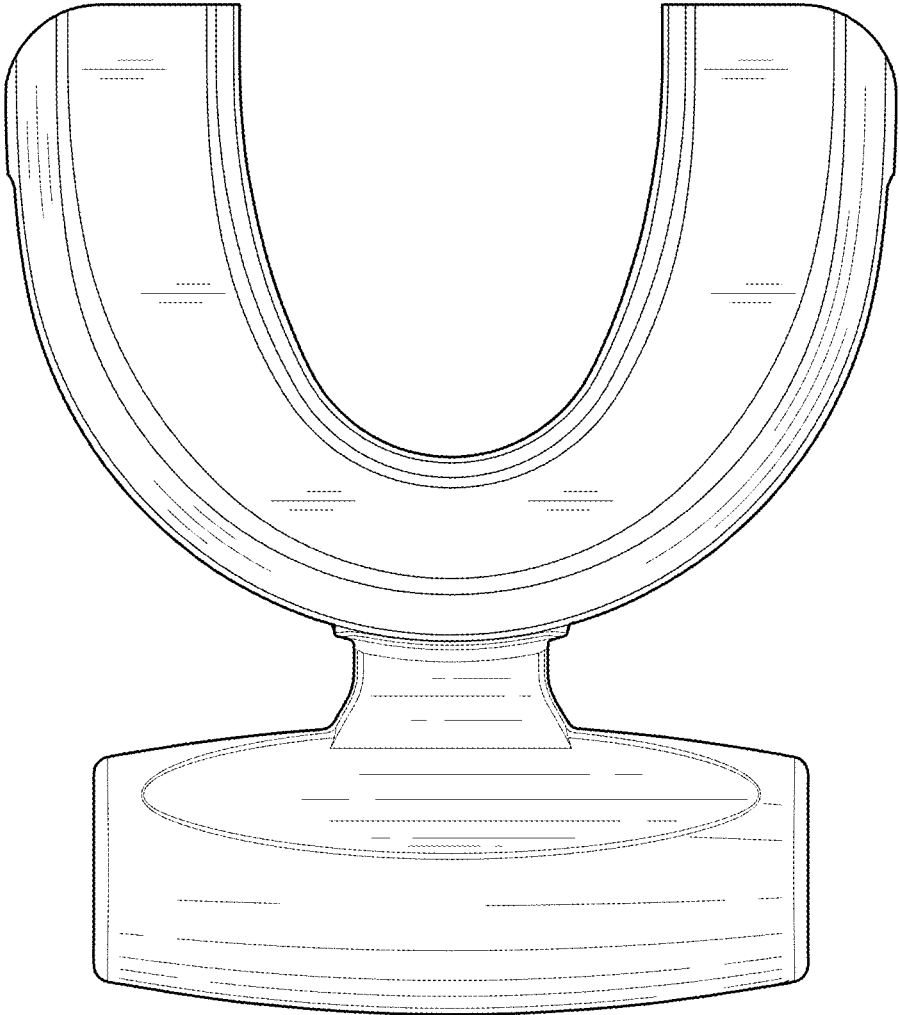


FIG. 7